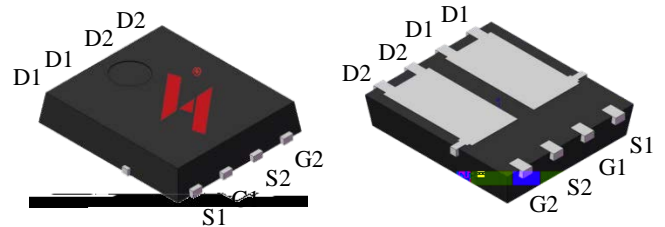


HYG350ND06LA1C2

$r_{DS(ON)}=32\text{ m}\Omega(\text{typ.})@V_{GS} = 10\text{V}$

$R_{DS(ON)}=36\text{ m}\Omega(\text{typ.})@V_{GS} = 4.5\text{V}$

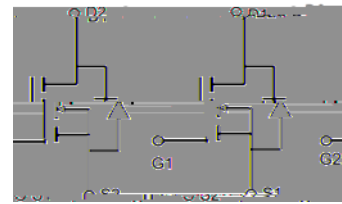
- 100% Avalanche Tested
- Reliable and Rugged
- Halogen-Free Devices Available (RoHS Compliant)



PDFN8L(5X6)


Applications

- Synchronous Rectifiers
- H-bridge Motor Drive



Dual N-Channel MOSFET

Ordering and Marking Information

 C2 G350ND06 XYMXXXXXX	Package Code C2 : PDFN8L(5X6) Date Code XYMXXXXXX
--	--

Note: HUAYI lead-free products contain molding compounds/die attach materials and 100% matte tin plate Termination finish; which are fully compliant with RoHS. HUAYI lead-free products meet or exceed the lead-free requirements of IPC/JEDEC J-STD-020 for MSL classification at lead-free peak reflow temperature. HUAYI defines "Green" to mean lead-free (RoHS compliant) and halogen free (Br or Cl does not exceed 900ppm by weight in homogeneous material and total of Br and Cl does not exceed 1500ppm by weight).

HUAYI reserves the right to make changes, corrections, enhancements, modifications, and improvements to this product and/or to this document at any time without notice.

Absolute Maximum Ratings

Symbol	Parameter	Rating	Unit	
Common Ratings (Tc=25°C Unless Otherwise Noted)				
V _{DSS}	Drain-Source Voltage	60	V	
V _{GSS}	Gate-Source Voltage	± 20	V	
T _J	Junction Temperature Range	-55 to 175	°C	
T _{STG}	Storage Temperature Range	-55 to 175	°C	
I _S	Source Current-Continuous(Body Diode)	Tc=25°C	17	A
Mounted on Large Heat Sink				
I _{DM}	Pulsed Drain Current *	Tc=25°C	60	A
I _D	Continuous Drain Current	Tc=25°C	17	A
		Tc=100°C	12	A
P _D	Maximum Power Dissipation	Tc=25°C	21.4	W
		Tc=100°C	10.7	W
R _{θJC}	Thermal Resistance, Junction-to-Case		7	°C/W
R _{θJA}	Thermal Resistance, Junction-to-Ambient **		50	°C/W
E _{AS}	SinglePulsed-Avalanche Energy ***	L=0.1mH	23	mJ

Note: * Repetitive rating pulse width limited by max.junction temperature.

** Surface mounted on 1in2 FR-4 board.

*** Limited by T_{Jmax}, starting T_J=25°C, L = 0.1mH, R_G= 25Ω, V_{GS}=10V.

Electrical Characteristics(Tc =25°C Unless Otherwise Noted)

Symbol	Parameter	Test Conditions	HYG350ND06LA1			Unit
			Min	Typ.	Max	
Static Characteristics						
BV _{DSS}	Drain-Source Breakdown Voltage	V _{GS} =0V, I _{DS} =250μA	60	-		V
I _{DSS}	Drain-to-Source LeakageCurrent	V _{DS} =60V, V _{GS} =0V	-	-	1	μA
		T _J =125°C	-	-	50	μA
V _{GS(th)}	Gate Threshold Voltage	V _{DS} =V _{GS} , I _{DS} =250μA	1.2	1.8	2.5	V
I _{GSS}	Gate-Source Leakage Current	V _{GS} =± 20V, V _{DS} =0V	-	-	±100	nA
R _{DS(ON)*}	Drain-Source On-State Resistance	V _{GS} =10V, I _{DS} =10A	-	32	35	mΩ
		V _{GS} =4.5V, I _{DS} =8A	-	36	45	
Diode Characteristics						
V _{SD*}	Diode Forward Voltage	I _{SD} =10A, V _{GS} =0V	-	0.87		

Electrical Characteristics (Cont.) (Tc =25°C Unless Otherwise Noted)

Symbol	Parameter	Test Conditions	HYG350ND06LA1			Unit
			Min	Typ.	Max	
Dynamic Characteristics						
R _G	Gate Resistance	V _{GS} =0V, V _{DS} =0V, Frequency=1.0MHz	-	6.3	-	Ω
C _{iss}	Input Capacitance	V _{GS} =0V, V _{DS} =25V, Frequency=1.0MHz	-	946	-	pF
C _{oss}	Output Capacitance		-	58	-	
C _{rss}	Reverse Transfer Capacitance		-	48	-	
t _{d(ON)}	Turn-on Delay Time	V _{DD} =30V, R _G =4Ω, I _{DS} =10A, V _{GS} =10V	-	6.5	-	ns
T _r	Turn-on Rise Time		-	20	-	
t _{d(OFF)}	Turn-off Delay Time		-	32	-	
T _f	Turn-off Fall Time		-	36	-	
Gate Charge Characteristics						
Q _g	Total Gate Charge (V _{GS} =10V,)	V _{DS} =48V, I _D =10A	-	22	-	nC
Q _g	Total Gate Charge (V _{GS} =4.5V)		-	11	-	
Q _{gs}	Gate-Source Charge		-	3.5	-	
Q _{gd}	Gate-Drain Charge		-	5.8	-	

Note: *Pulse test pulse width ≤ 300us duty cycle ≤ 2%

HYG350ND06LA1C2

N-Mosfet Typical Operating Characteristics

Figure 1: Power Dissipation

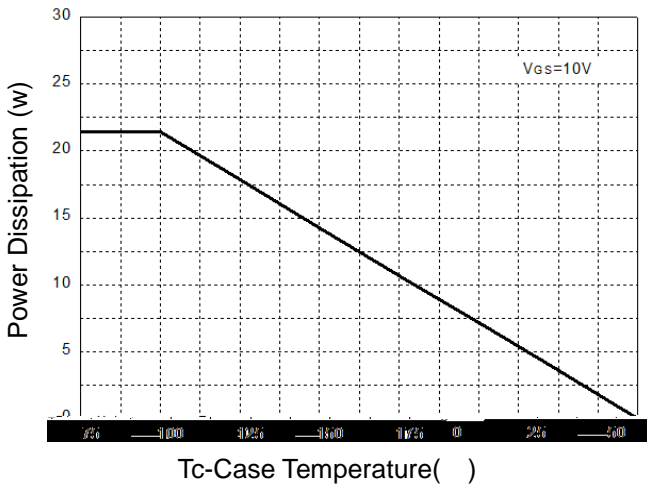


Figure 2: Drain Current

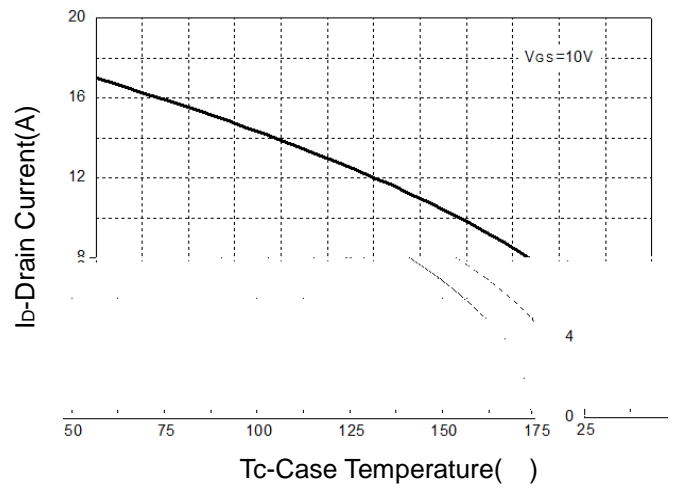


Figure 3: Safe Operation Area

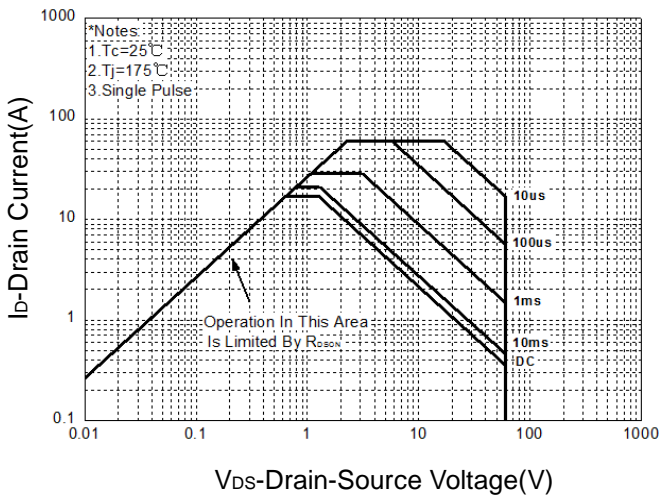


Figure 4: Thermal Transient Impedance

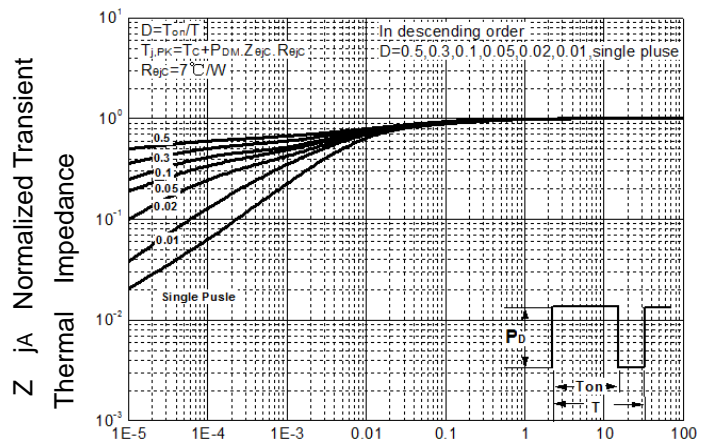


Figure 5: Output Characteristics

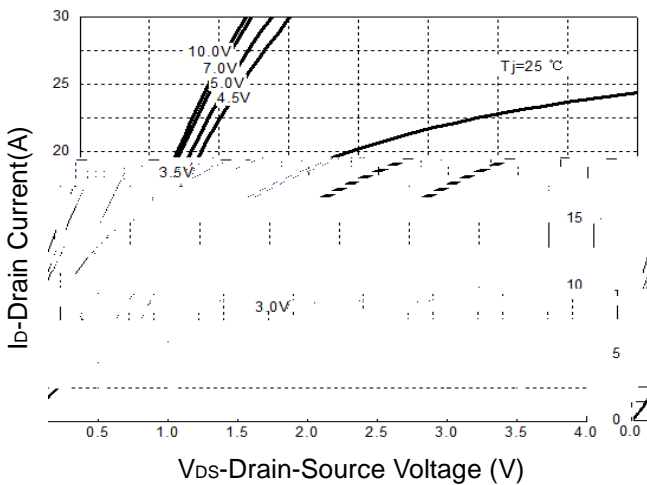
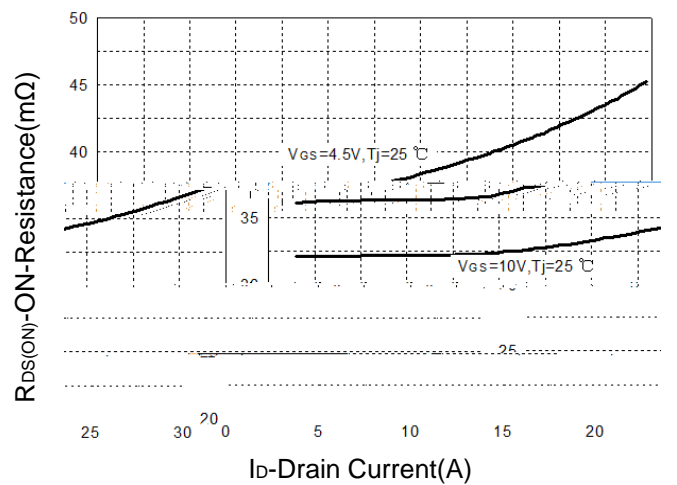


Figure 6: Drain-Source On Resistance



N-Mosfet Typical Operating Characteristics

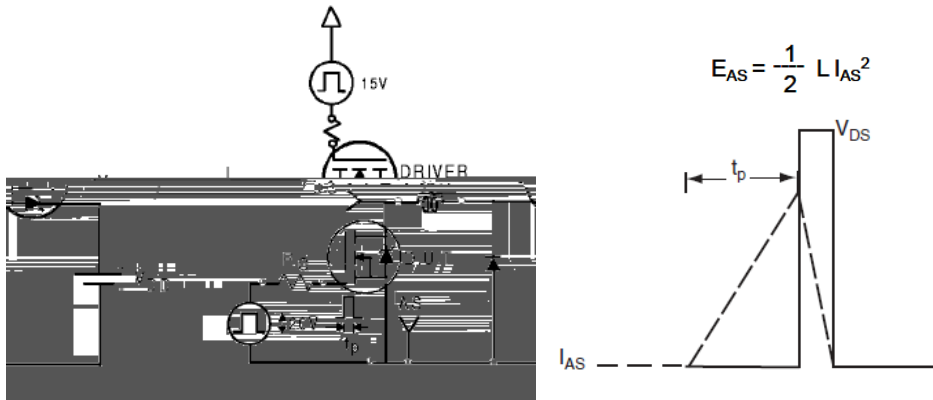
Figure 7: On-Resistance vs. Temperature

Figure 8: Source-Drain Diode Forward

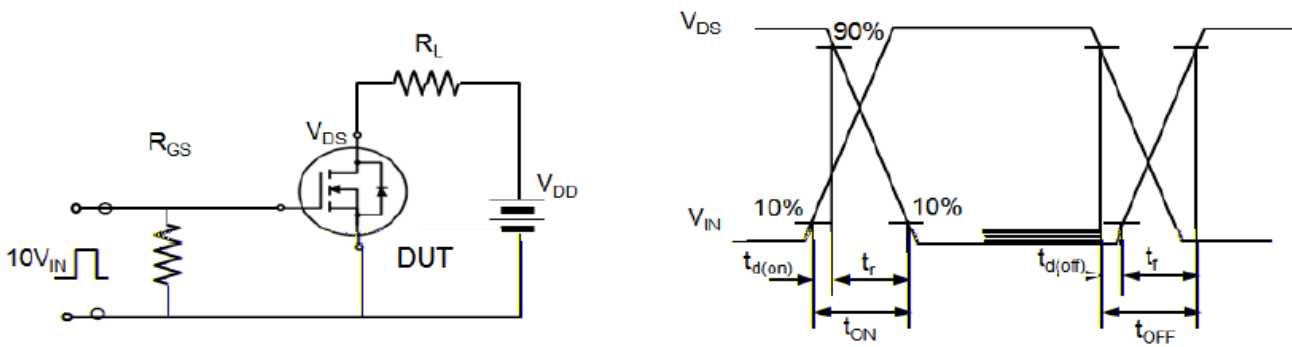
T_j-Junction Temperature (

HYG350ND06LA1C2

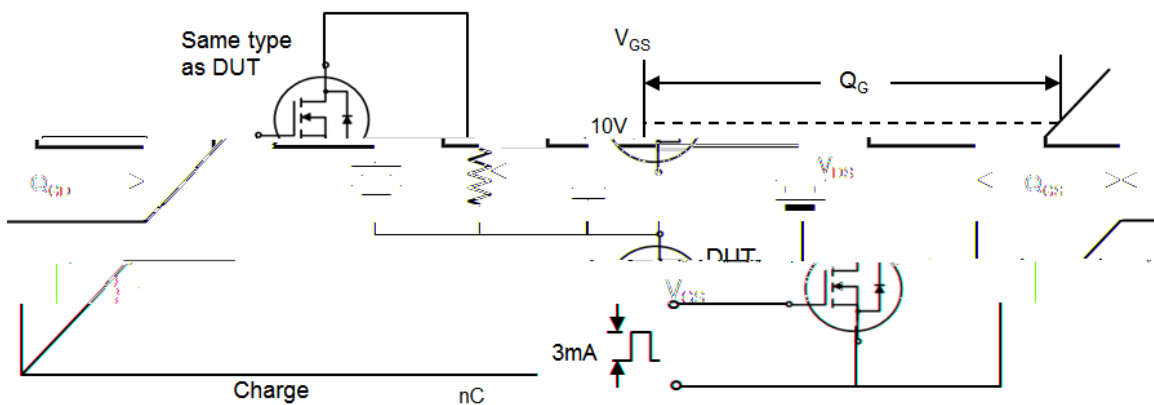
Avalanche Test Circuit



Switching Time Test Circuit



Gate Charge Test Circuit



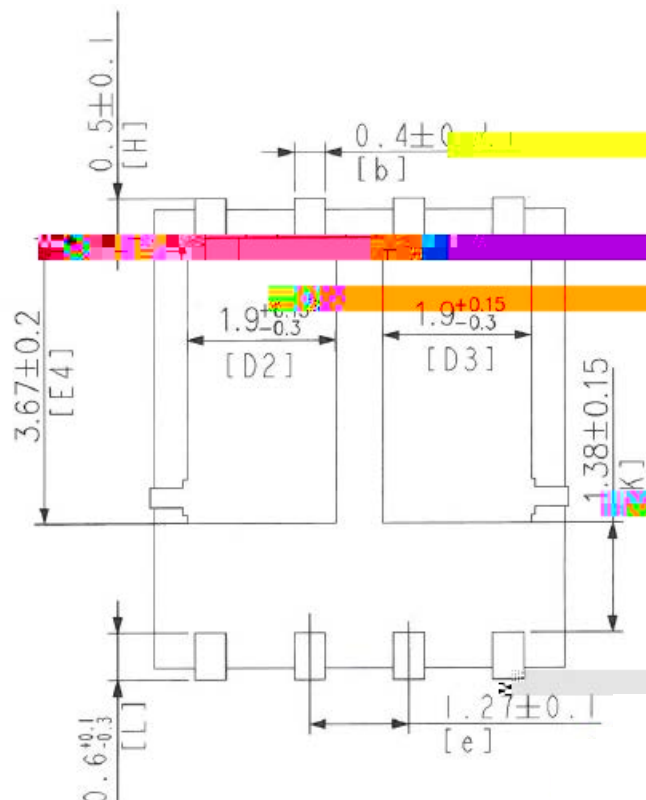
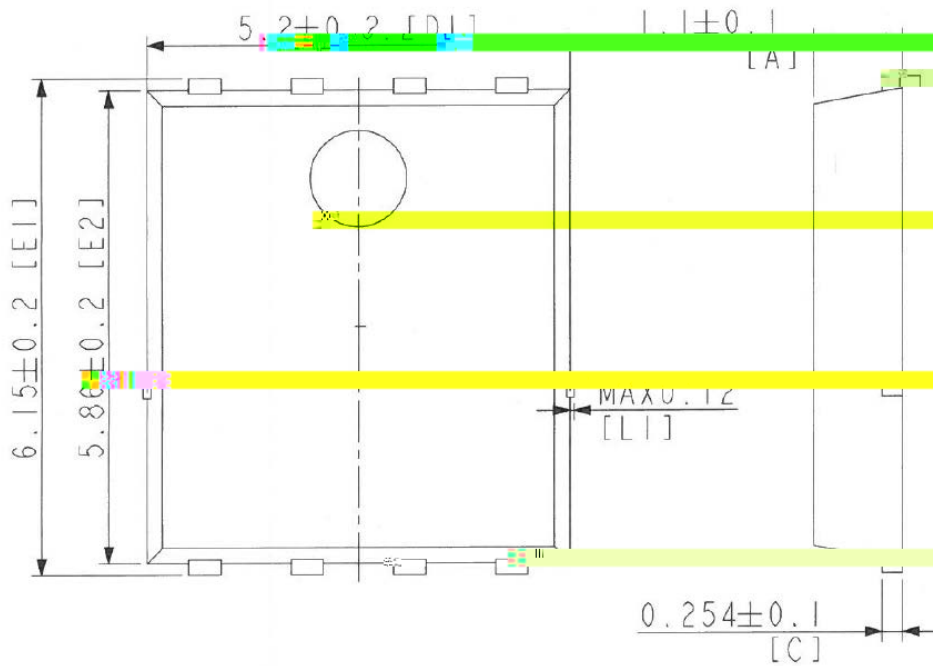
HYG350ND06LA1C2

Device Per Unit

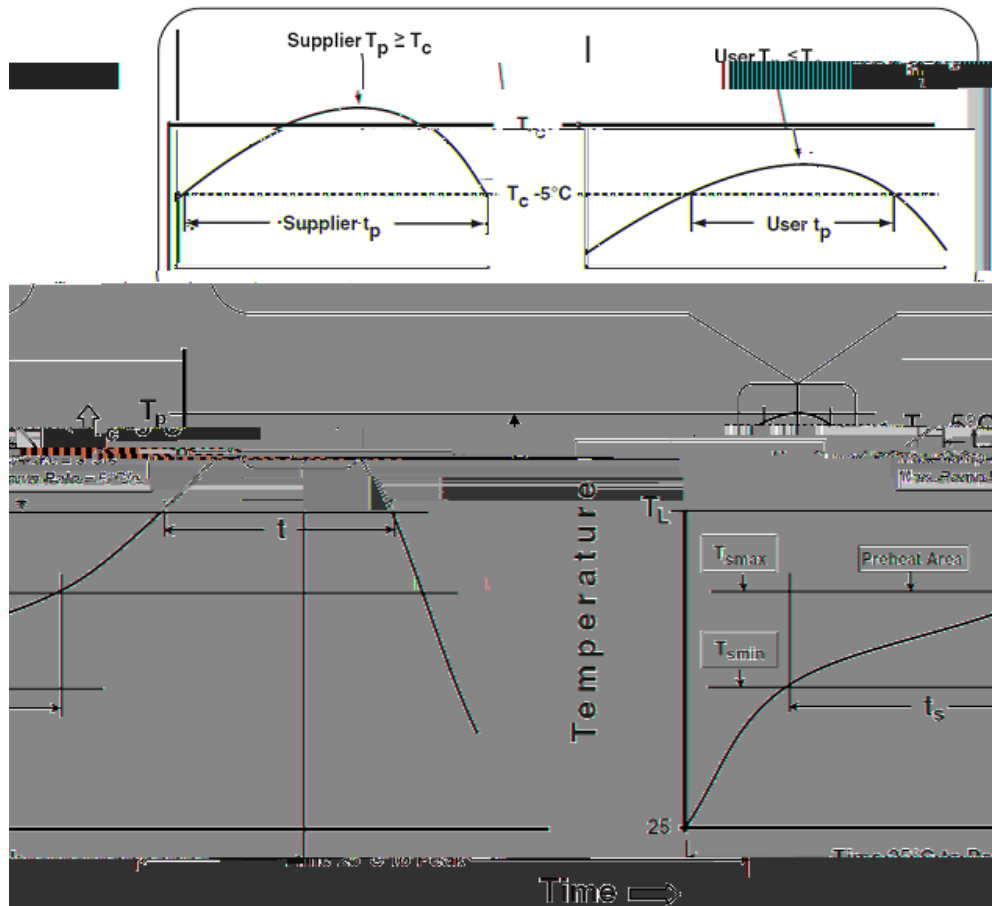
Package Type	Unit	Quantity
PDFN8L(5X6)	Reel	5000

Package Information

PDFN8L(5X6)



Classification Profile



Classification Reflow Profiles

Profile Feature	Sn-Pb Eutectic Assembly	Pb-Free Assembly
Preheat & Soak		
Temperature min (T_{smin})	100 °C	150 °C
Temperature max (T_{smax})	150 °C	200 °C
Time (T_{smin} to T_{smax}) (t_s)	60-120 seconds	60-120 seconds
Average ramp-up rate (T_{smax} to T_p)	3 °C/second max.	3°C/second max.
Liquidous temperature (T_L)	183 °C	217 °C
Time at liquidous (t_L)	60-150 seconds	60-150 seconds
Peak package body Temperature (T_p)*	See Classification Temp in table 1	See Classification Temp in table 2
Time (t_p)** within 5°C of the specified classification temperature (T_c)	20** seconds	30** seconds
Average ramp-down rate (T_p to T_{smax})	6 °C/second max.	6 °C/second max.
Time 25°C to peak temperature	6 minutes max.	8 minutes max.

*Tolerance for peak profile Temperature (T_p) is defined as a supplier minimum and a user maximum.

** Tolerance for time at peak profile temperature (t_p) is defined as a supplier minimum and a user maximum.

Table 1.SnPb Eutectic Process – Classification Temperatures (Tc)

Package Thickness	Volume mm ³ <350	Volume mm ³ 350
2.5 mm	235 °C	220 °C
≥2.5 mm	220 °C	220 °C

Table 2.Pb-free Process – Classification Temperatures (Tc)

Package Thickness	Volume mm ³ <350	Volume mm ³ 350-2000	Volume mm ³ 2000
<1.6 mm	260 °C	260 °C	260 °C
1.6 mm – 2.5 mm	260 °C	250 °C	245 °C
2.5 mm	250 °C	245 °C	245 °C

Reliability Test Program

Test item	Method	Description
SOLDERABILITY	JESD-22, B102	5 Sec, 245°C
PRECON	JESD-22, A113	30°C/60%/192Hrs
HTRB	JESD-22, A108	168Hrs\500Hrs\1000Hrs,Bias@125°C
HTRB	JESD-22, A108	168Hrs\ 500Hrs\1000Hrs,Bias@125°C
PCT	JESD-22, A102	96Hrs,100%RH, 2atm,121°C
TCT	JESD-22, A104	250/500/1000Cycles, -55°C~150°C

Customer Service

Worldwide Sales and Service: sales@hymexa.com

Technical Support:Technology@hymexa.com

Huayi Microelectronics Co., Ltd.

No.8928,Shangji Road,Economic and Technological Development Zone,Xi'an,China

TEL: (86-029) 86685706

FAX: (86-029) 86685705

E-mail: sales@hymexa.com

Web net: www.hymexa.com