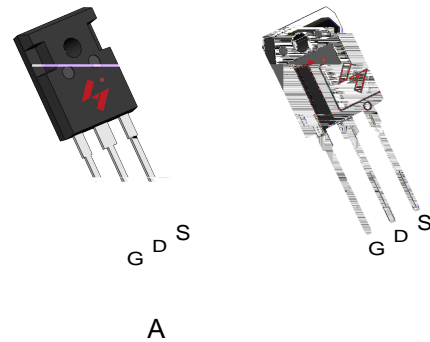


N-Channel Enhancement Mode MOSFET

Features

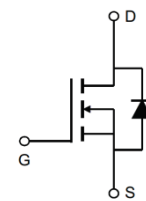
- 80V/200A
 $R_{DS(ON)} = 2.9\ m\ (\text{typ.}) @ V_{GS} = 10V$
- 100% avalanche tested
- Reliable and Rugged
- Lead Free and Green Devices Available (RoHS Compliant)

Pin Description





Applications

- Switching application
- Power Management for Inverter Systems.



N Channel MOSFET

Ordering and Marking Information

 W HY4008 YYXXXJWW G	 A HY4008 YYXXXJWW G
Package Code W : TO-247 -3L A : TO-3P-3L	
Date Code Assembly Material YYXXX WW G : Lead Free Device	

Note: HUAYI lead-free products contain molding compounds/die attach materials and 100% matte tin plate Termination finish; which are fully compliant with RoHS. HUAYI lead-free products meet or exceed the lead-free requirements of IPC/JEDEC J-STD-020 for MSL classification at lead-free peak reflow temperature. HUAYI defines "Green" to mean lead-free (RoHS compliant) and halogen free (Br or Cl does not exceed 900ppm by weight in homogeneous material and total of Br and Cl does not exceed 1500ppm by weight).

HUAYI reserves the right to make changes, corrections, enhancements, modifications, and improvements to this product and/or to this document at any time without notice.

Absolute Maximum Ratings

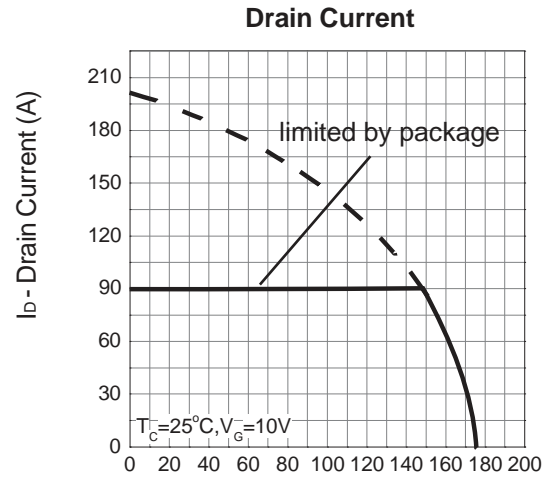
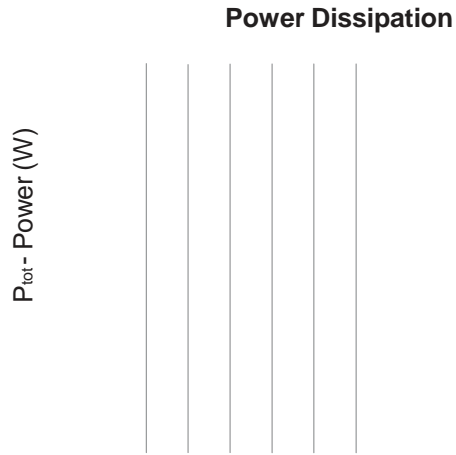
Symbol	Parameter	Rating	Unit
		800**	
		1736***	
		HY4008	
		80	
		2.9	

Electrical Characteristics (Cont.) ($T_C = 25\text{ }^\circ\text{C}$ Unless Otherwise Noted)

Symbol	Parameter	Test Conditions	HY4008			Unit
			Min.	Typ.	Max.	
Dynamic Characteristics						
R_G	Gate Resistance	$V_{GS}=0V, V_{DS}=0V, F=1\text{MHz}$	-	3.2	-	
C_{iss}	Input Capacitance	$V_{GS}=0V,$ $V_{DS}=25V,$ Frequency=1.0MHz	-	7398	-	pF
C_{oss}	Output Capacitance		-	1029	-	
C_{rss}	Reverse Transfer Capacitance		-	650	-	
$t_{d(ON)}$	Turn-on Delay Time	$V_{DD}=40V, R_G=6\ \Omega,$ $I_{DS}=100A, V_{GS}=10V,$	-	28	-	ns
T_r	Turn-on Rise Time		-	18	-	
$t_{d(OFF)}$	Turn-off Delay Time		-	42	-	
T_f	Turn-off Fall Time		-	54	-	
Gate Charge Characteristics						
Q_g	Total Gate Charge	$V_{DS}=64V, V_{GS}=10V,$ $I_{DS}=100A$	-	195	-	nC
Q_{gs}	Gate-Source Charge		-	31	-	
Q_{gd}	Gate-Drain Charge		-	75	-	

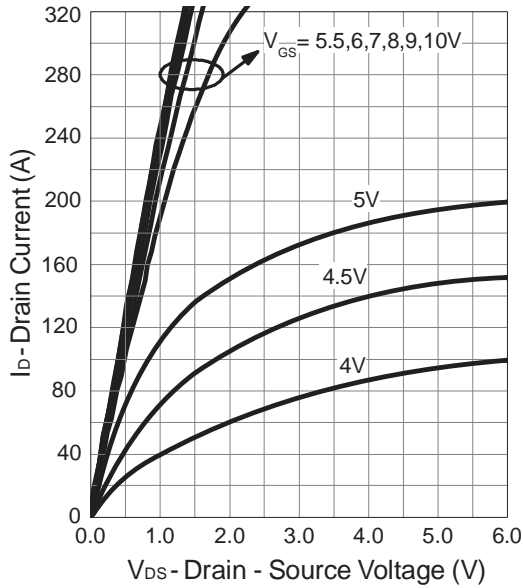
Note * : Pulse test ; pulse width 300 μ s, duty cycle 2%.

Typical Operating Characteristics

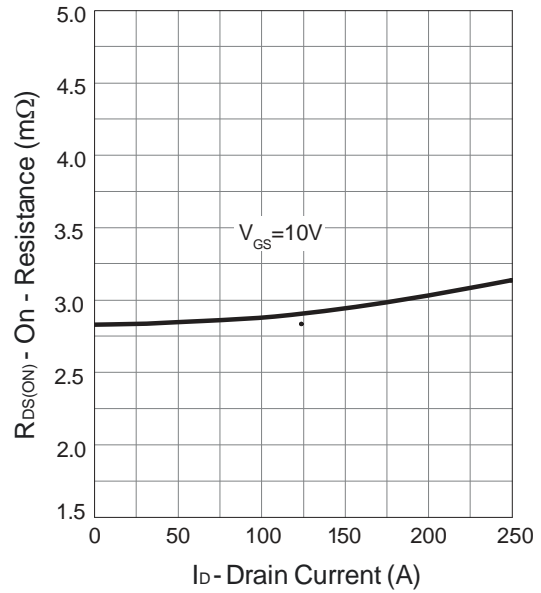


Typical Operating Characteristics (Cont.)

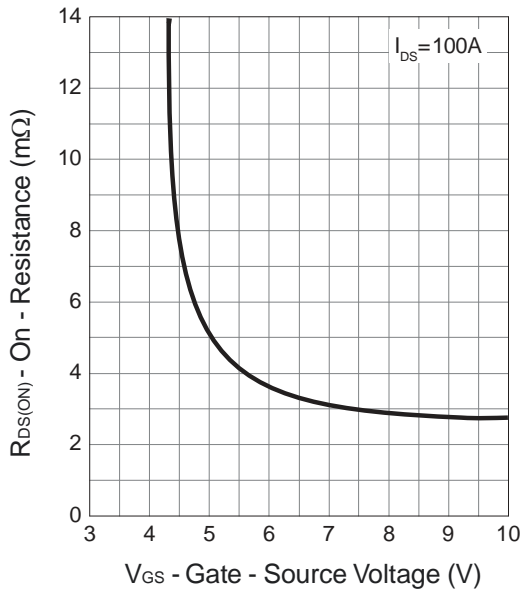
Output Characteristics



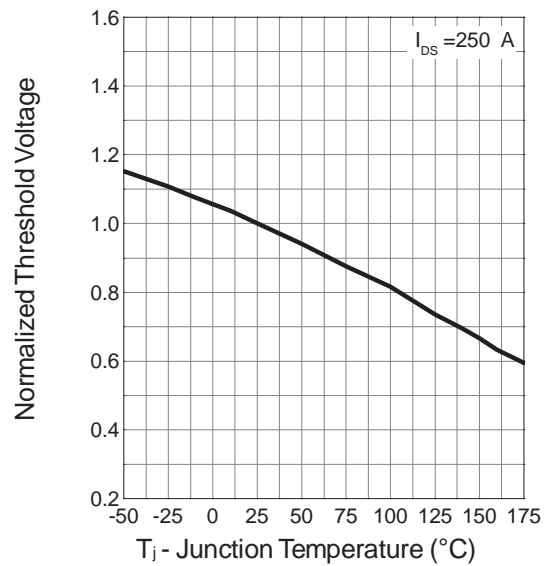
Drain-Source On Resistance



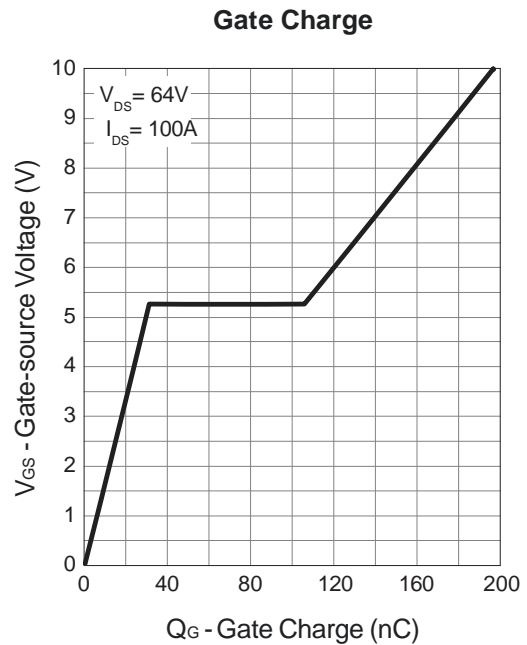
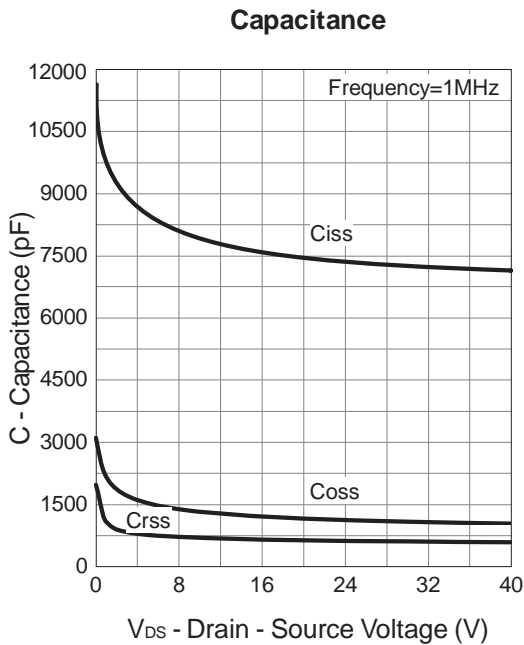
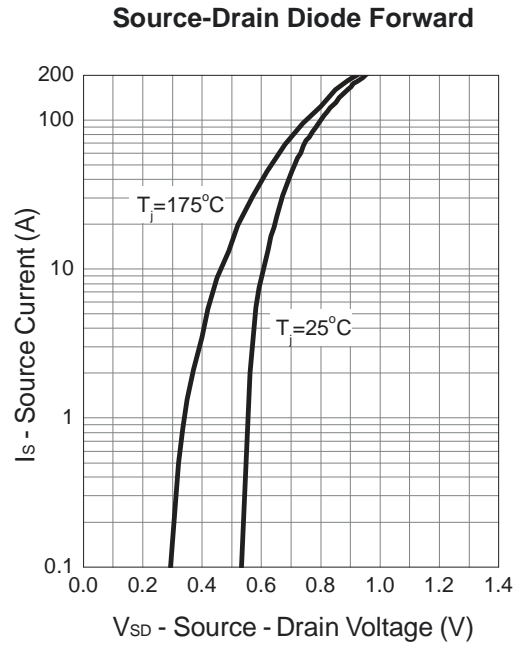
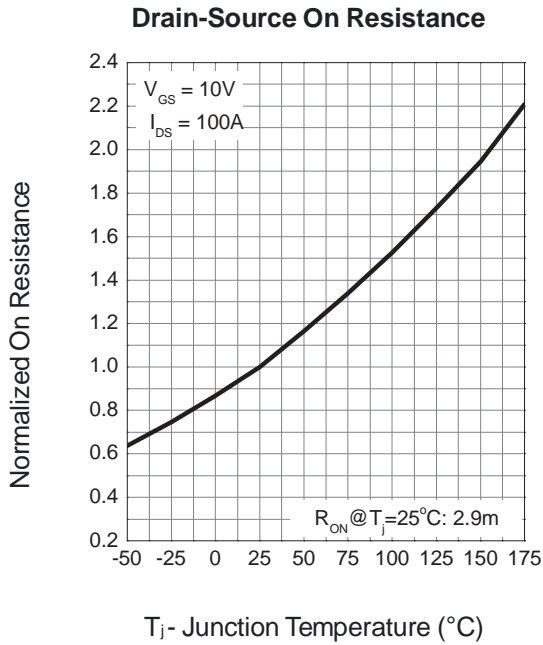
Gate-Source On Resistance



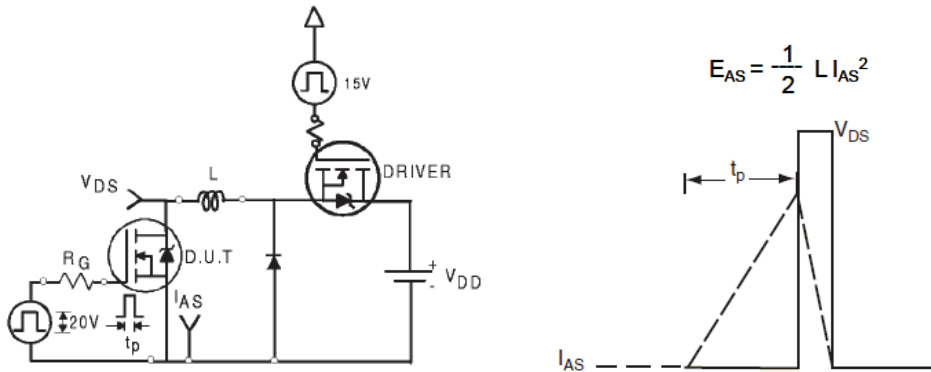
Gate Threshold Voltage



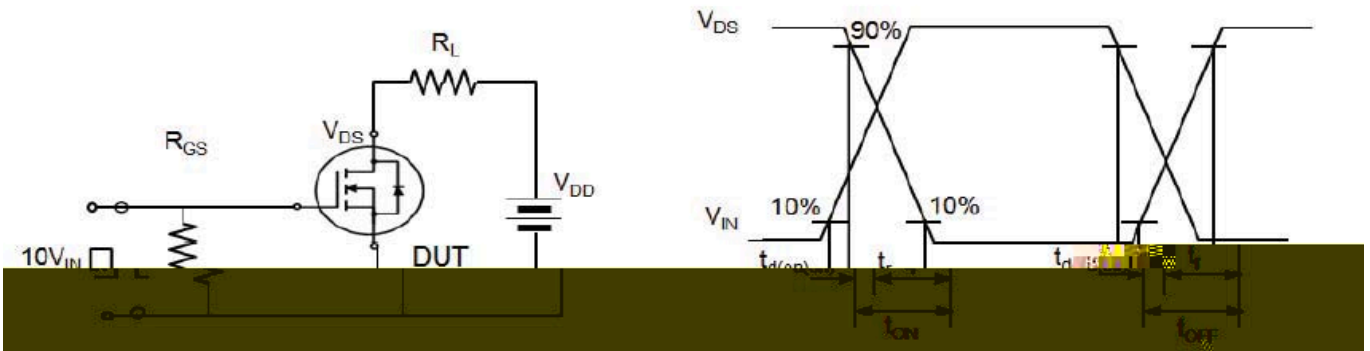
Typical Operating Characteristics (Cont.)



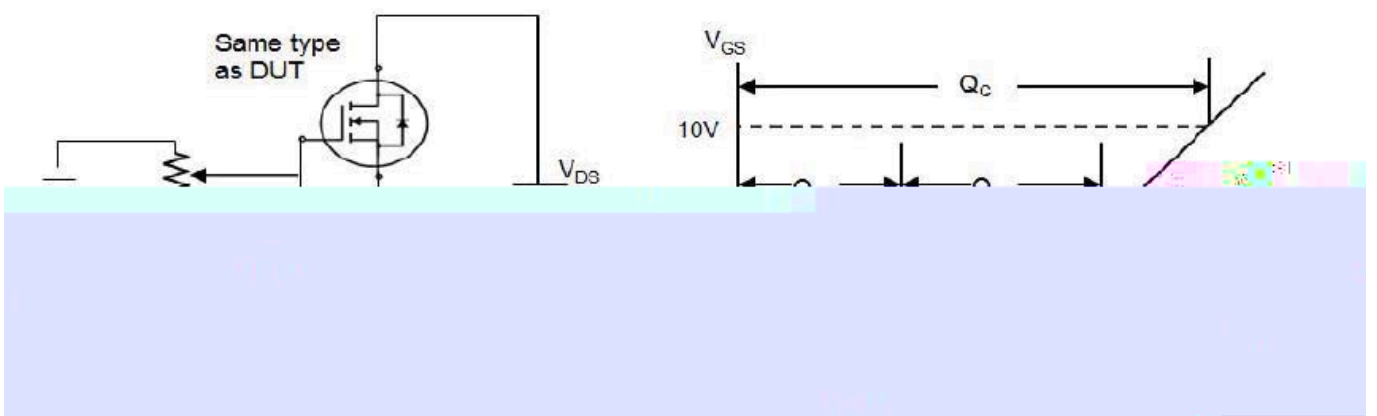
Avalanche Test Circuit



Switching Time Test Circuit



Gate Charge Test Circuit

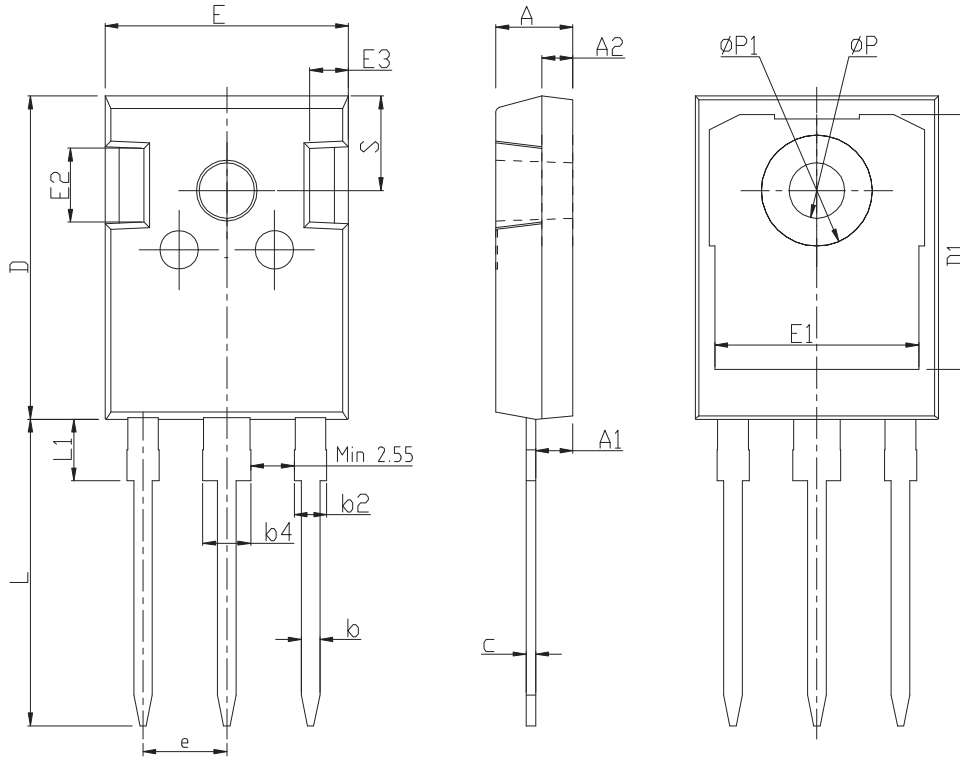


Device Per Unit

Package Type	Unit	Quantity
TO-247A-3L	Tube	30

Package Information

TO-247A-3L



COMMON DIMENSIONS

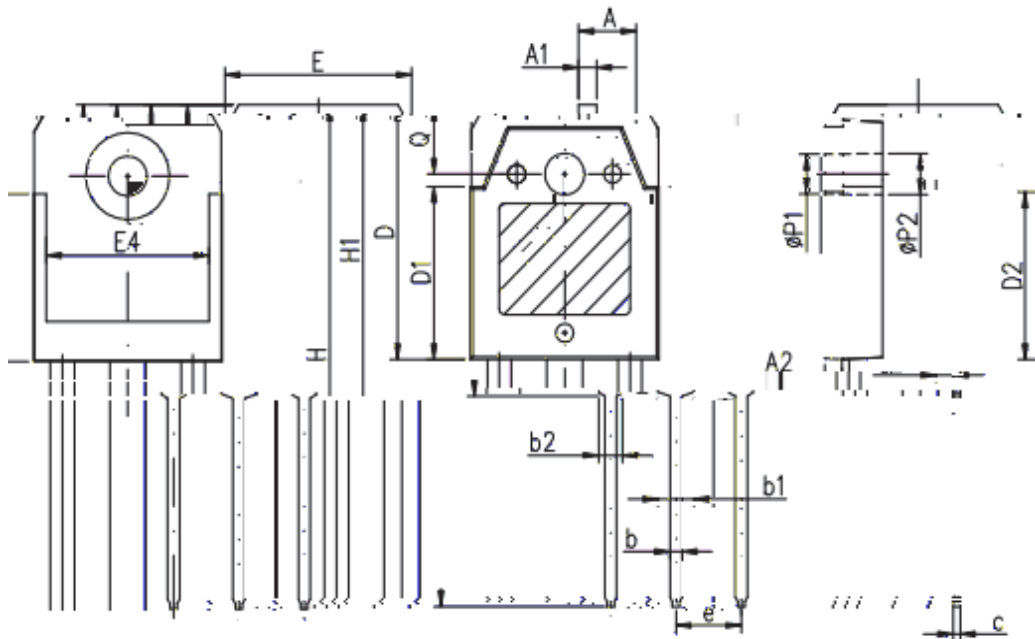
GVA6C@	aa		
	A=B'	BCA	A5L
5	(" , \$)")\$ \$)" &\$
5%	&" &%	&" (%	&" *%&
5&	% ,)	&" \$ \$	&" %&
V	% %&	% &%	% ' *
V&	% - %	&" \$%	&" &%
V(&" - %	' " \$%	' " &%
W	\$") %	\$" *%&	\$" +)
8	&\$" + \$	&% \$ \$	&% ' \$
8%	% * &	% ")	% " ,)
9	% &") \$	% &" , \$	% * " % \$
9%	% " \$ \$	% " " \$	% " * \$
9&	(" , \$)")\$ \$)" &\$
9	&" ' \$	&") \$	&" + \$
Y)" ((6G7		
@	% " * &	% " - &	&\$" &&
@%	!	!	(" " \$
D	' " (\$	' " * \$	' " , \$
D%	!	!	+ " " \$
G	* " % 6G7		

Device Per Unit

Package Type	Unit	Quantity
TO-3P-3L	Tube	30

Package Information

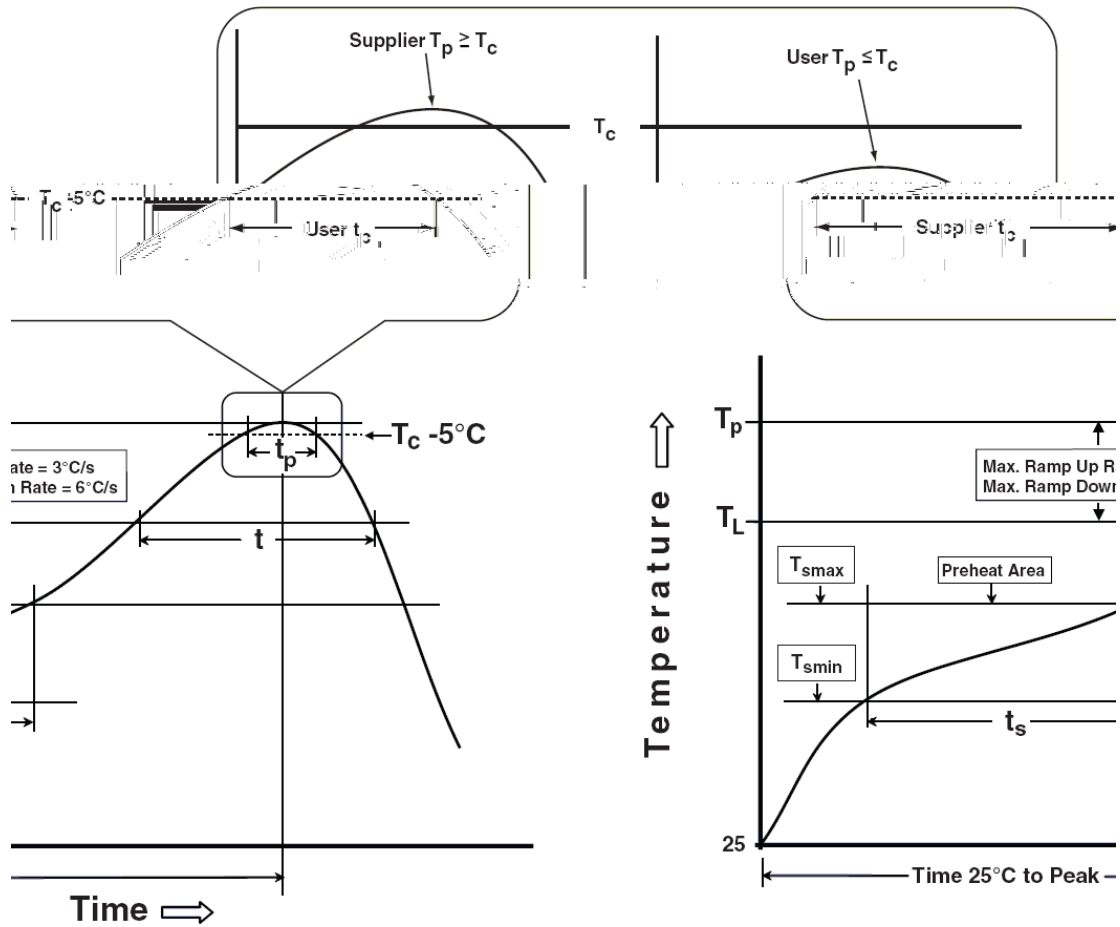
TO-3P-3L



COMMON DIMENSIONS

SYMBOL	mm		
	MIN	NOM	MAX
A	4.60	4.80	5.00
A1	1.40	1.50	1.65
A2	11.18	11.38	11.58
b	0.80	1.00	1.20
b1	2.80	3.00	3.20
b2	1.80	2.00	2.20
e	0.50	0.50	0.50
D	19.60	19.60	19.90
D1	13.55	13.55	13.90
D2	12.90	12.90	REF
F	15.35	15.60	15.8
E4	12.60	12.60	12.60
H	40.50	40.90	41
H1	23.40	23.65	23.8
phi P1	3.20	3.20	REF
phi P2	3.50	3.50	REF

Classification Profile



Profile Feature	Sn-Pb Eutectic Assembly	Pb-Free Assembly
Preheat & Soak		
Temperature min (T_{smin})	100 C	150 C
Temperature max (T_{smax})	150 C	200 C
Time (T_{smin} to T_{smax}) (t_s)	60-120 seconds	60-120 seconds
Average ramp-up rate (T_{smax} to T_p)	3 C/second max.	3 C/second max.
Liquidous temperature (T_L)	183 C	217 C
Time at liquidous (t_L)	60-150 seconds	60-150 seconds
Peak package body Temperature (T_p)*	See Classification Temp in table 1	See Classification Temp in table 2
Time (t_p)** within 5 C of the specified classification temperature (T_c)	20** seconds	30** seconds
Average ramp-down rate (T_p to T_{smax})	6 C/second max.	6 C/second max.
Time 25 C to peak temperature	6 minutes max.	8 minutes max.

